

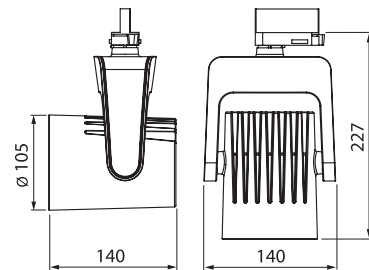
VINCI M DALI G2

“The VINCI family of spotlights is produced in a wide range of models for different needs and preferences. Vinci can be tailored to meet your requirements of the tone and spectral composition in the lighting. There is also a range of accessories available. Developed and produced in Sweden”

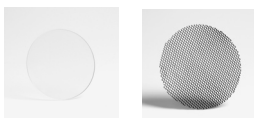
LED-spotlight with passive cooling system.
Dimmable by DALI.
Die cast aluminium body, powder coat painted.
Integral heatsink. Integral premium driver.
Amplitude dimming (AM) for flicker free and noise free dimming.
Low ripple output current <4% to assure camera and scanner friendly performance.
Rotation 365°. Vertical adjustment +/- 90°.
Track mounted with GAC Pulse adapter.



| | |
|-------------------------------|-----------------------------------|
| Class of protection | IP20, class I |
| Colours | White, black |
| Weight total | 1600g |
| Reflector | High purity aluminium |
| Lifetime | 50.000h L80/B10 at Ta 25°C |
| Mounting | GAC-adapter for Global Trac Pulse |
| Voltage | 220-240V 50/60hz |
| Ripple out. current | < 4%. Flicker-free performance |
| Qty per MCB | Max 34pcs/MCB 16A type B |
| Colour consistency | 3 SDCM |
| Photobiological safety | RG1 |
| Design | Jesper Ståhl |
| Dimming 100-1% | DALI |



- White
- Black



Accessories

| | |
|------------------|--------|
| Protective glass | 204590 |
| Honeycomb louvre | 204591 |

VINCI M DALI G2

| Description | Reflector | CCT (K) | CRI | Lumen | Load | Lumen | Lm/W | ○ White | ● Black | | | | | | | | | | | | | | | | | | | | | | | | | | | | | | | | | | | | | | | | | | | | | | | | | | | | | | | | | | | | | | | | | | | | | | | | | | | | | | | | | | | | |
|--|------------|---------|-------|-----------|------|--------|----------|---------|---------|--------|------|--|--|--------|--|--|--|-------|--|--|--|--------|--|--------|--|--------|--|--------|--|--------|--|--------|--|---|---|-----|-----|---|---|-----|-----|---|---|-----|-----|---|------|-------|-------|---|------|-------|-------|---|------|------|------|---|------|------|------|---|------|------|------|---|------|------|------|---|------|------|------|---|------|------|------|---|------|-----|-----|---|------|------|------|---|------|-----|------|---|------|-----|-----|
| LIGHTSOURCE | | | | LUMINAIRE | | | ART. No. | | | | | | | | | | | | | | | | | | | | | | | | | | | | | | | | | | | | | | | | | | | | | | | | | | | | | | | | | | | | | | | | | | | | | | | | | | | | | | | | | | | | | | |
| WARM WHITE 3000K (930) | | | | | | | | | | | | | | | | | | | | | | | | | | | | | | | | | | | | | | | | | | | | | | | | | | | | | | | | | | | | | | | | | | | | | | | | | | | | | | | | | | | | | | | | | | | | | |
| Vinci M DALI 3000lm SP 930 | Spot 14° | 3000K | 92 | 3530 | 27W | 3130 | 116 | 245510 | 245514 | | | | | | | | | | | | | | | | | | | | | | | | | | | | | | | | | | | | | | | | | | | | | | | | | | | | | | | | | | | | | | | | | | | | | | | | | | | | | | | | | | | | |
| Vinci M DALI 3000lm ME 930 | Medium 26° | 3000K | 92 | 3530 | 27W | 3215 | 119 | 245511 | 245515 | | | | | | | | | | | | | | | | | | | | | | | | | | | | | | | | | | | | | | | | | | | | | | | | | | | | | | | | | | | | | | | | | | | | | | | | | | | | | | | | | | | | |
| Vinci M DALI 3000lm FL 930 | Flood 40° | 3000K | 92 | 3530 | 27W | 3145 | 116 | 245512 | 245516 | | | | | | | | | | | | | | | | | | | | | | | | | | | | | | | | | | | | | | | | | | | | | | | | | | | | | | | | | | | | | | | | | | | | | | | | | | | | | | | | | | | | |
| Vinci M DALI 4500lm SP 930 | Spot 14° | 3000K | 92 | 4970 | 40W | 4400 | 110 | 245610 | 245614 | | | | | | | | | | | | | | | | | | | | | | | | | | | | | | | | | | | | | | | | | | | | | | | | | | | | | | | | | | | | | | | | | | | | | | | | | | | | | | | | | | | | |
| Vinci M DALI 4500lm ME 930 | Medium 26° | 3000K | 92 | 4970 | 40W | 4520 | 113 | 245611 | 245615 | | | | | | | | | | | | | | | | | | | | | | | | | | | | | | | | | | | | | | | | | | | | | | | | | | | | | | | | | | | | | | | | | | | | | | | | | | | | | | | | | | | | |
| Vinci M DALI 4500lm FL 930 | Flood 40° | 3000K | 92 | 4970 | 40W | 4425 | 110 | 245612 | 245616 | | | | | | | | | | | | | | | | | | | | | | | | | | | | | | | | | | | | | | | | | | | | | | | | | | | | | | | | | | | | | | | | | | | | | | | | | | | | | | | | | | | | |
| <table border="1"> <thead> <tr> <th colspan="4">Spot</th> <th colspan="4">Medium</th> <th colspan="4">Flood</th> </tr> <tr> <th colspan="2">3000lm</th> <th colspan="2">4500lm</th> <th colspan="2">3000lm</th> <th colspan="2">4500lm</th> <th colspan="2">3000lm</th> <th colspan="2">4500lm</th> </tr> <tr> <th>m</th> <th>∅</th> <th>Lux</th> <th>Lux</th> <th>m</th> <th>∅</th> <th>Lux</th> <th>Lux</th> <th>m</th> <th>∅</th> <th>Lux</th> <th>Lux</th> </tr> </thead> <tbody> <tr> <td>1</td> <td>0,28</td> <td>19002</td> <td>26717</td> <td>1</td> <td>0,46</td> <td>11532</td> <td>16219</td> <td>1</td> <td>0,74</td> <td>5632</td> <td>7921</td> </tr> <tr> <td>2</td> <td>0,56</td> <td>4751</td> <td>6679</td> <td>2</td> <td>0,92</td> <td>2883</td> <td>4055</td> <td>2</td> <td>1,47</td> <td>1408</td> <td>1980</td> </tr> <tr> <td>3</td> <td>0,84</td> <td>2111</td> <td>2969</td> <td>3</td> <td>1,37</td> <td>1281</td> <td>1802</td> <td>3</td> <td>2,21</td> <td>626</td> <td>880</td> </tr> <tr> <td>4</td> <td>1,12</td> <td>1188</td> <td>1670</td> <td>4</td> <td>1,85</td> <td>721</td> <td>1014</td> <td>4</td> <td>2,91</td> <td>352</td> <td>495</td> </tr> </tbody> </table> | | | | | | | | | | Spot | | | | Medium | | | | Flood | | | | 3000lm | | 4500lm | | 3000lm | | 4500lm | | 3000lm | | 4500lm | | m | ∅ | Lux | Lux | m | ∅ | Lux | Lux | m | ∅ | Lux | Lux | 1 | 0,28 | 19002 | 26717 | 1 | 0,46 | 11532 | 16219 | 1 | 0,74 | 5632 | 7921 | 2 | 0,56 | 4751 | 6679 | 2 | 0,92 | 2883 | 4055 | 2 | 1,47 | 1408 | 1980 | 3 | 0,84 | 2111 | 2969 | 3 | 1,37 | 1281 | 1802 | 3 | 2,21 | 626 | 880 | 4 | 1,12 | 1188 | 1670 | 4 | 1,85 | 721 | 1014 | 4 | 2,91 | 352 | 495 |
| Spot | | | | Medium | | | | Flood | | | | | | | | | | | | | | | | | | | | | | | | | | | | | | | | | | | | | | | | | | | | | | | | | | | | | | | | | | | | | | | | | | | | | | | | | | | | | | | | | | | | | |
| 3000lm | | 4500lm | | 3000lm | | 4500lm | | 3000lm | | 4500lm | | | | | | | | | | | | | | | | | | | | | | | | | | | | | | | | | | | | | | | | | | | | | | | | | | | | | | | | | | | | | | | | | | | | | | | | | | | | | | | | | | | |
| m | ∅ | Lux | Lux | m | ∅ | Lux | Lux | m | ∅ | Lux | Lux | | | | | | | | | | | | | | | | | | | | | | | | | | | | | | | | | | | | | | | | | | | | | | | | | | | | | | | | | | | | | | | | | | | | | | | | | | | | | | | | | | |
| 1 | 0,28 | 19002 | 26717 | 1 | 0,46 | 11532 | 16219 | 1 | 0,74 | 5632 | 7921 | | | | | | | | | | | | | | | | | | | | | | | | | | | | | | | | | | | | | | | | | | | | | | | | | | | | | | | | | | | | | | | | | | | | | | | | | | | | | | | | | | |
| 2 | 0,56 | 4751 | 6679 | 2 | 0,92 | 2883 | 4055 | 2 | 1,47 | 1408 | 1980 | | | | | | | | | | | | | | | | | | | | | | | | | | | | | | | | | | | | | | | | | | | | | | | | | | | | | | | | | | | | | | | | | | | | | | | | | | | | | | | | | | |
| 3 | 0,84 | 2111 | 2969 | 3 | 1,37 | 1281 | 1802 | 3 | 2,21 | 626 | 880 | | | | | | | | | | | | | | | | | | | | | | | | | | | | | | | | | | | | | | | | | | | | | | | | | | | | | | | | | | | | | | | | | | | | | | | | | | | | | | | | | | |
| 4 | 1,12 | 1188 | 1670 | 4 | 1,85 | 721 | 1014 | 4 | 2,91 | 352 | 495 | | | | | | | | | | | | | | | | | | | | | | | | | | | | | | | | | | | | | | | | | | | | | | | | | | | | | | | | | | | | | | | | | | | | | | | | | | | | | | | | | | |
| | | | | | | | | | | | | | | | | | | | | | | | | | | | | | | | | | | | | | | | | | | | | | | | | | | | | | | | | | | | | | | | | | | | | | | | | | | | | | | | | | | | | | | | | | | | | | |
| NEUTRAL WHITE 4000K (940) | | | | | | | | | | | | | | | | | | | | | | | | | | | | | | | | | | | | | | | | | | | | | | | | | | | | | | | | | | | | | | | | | | | | | | | | | | | | | | | | | | | | | | | | | | | | | |
| Vinci M DALI 3000lm SP 940 | Spot 14° | 4000K | 92 | 3350 | 27W | 2965 | 110 | 245550 | 245554 | | | | | | | | | | | | | | | | | | | | | | | | | | | | | | | | | | | | | | | | | | | | | | | | | | | | | | | | | | | | | | | | | | | | | | | | | | | | | | | | | | | | |
| Vinci M DALI 3000lm ME 940 | Medium 26° | 4000K | 92 | 3350 | 27W | 3050 | 113 | 245551 | 245555 | | | | | | | | | | | | | | | | | | | | | | | | | | | | | | | | | | | | | | | | | | | | | | | | | | | | | | | | | | | | | | | | | | | | | | | | | | | | | | | | | | | | |
| Vinci M DALI 3000lm FL 940 | Flood 40° | 4000K | 92 | 3350 | 27W | 2980 | 110 | 245552 | 245556 | | | | | | | | | | | | | | | | | | | | | | | | | | | | | | | | | | | | | | | | | | | | | | | | | | | | | | | | | | | | | | | | | | | | | | | | | | | | | | | | | | | | |
| Vinci M DALI 4500lm SP 940 | Spot 14° | 4000K | 92 | 4930 | 40W | 4365 | 109 | 245650 | 245654 | | | | | | | | | | | | | | | | | | | | | | | | | | | | | | | | | | | | | | | | | | | | | | | | | | | | | | | | | | | | | | | | | | | | | | | | | | | | | | | | | | | | |
| Vinci M DALI 4500lm ME 940 | Medium 26° | 4000K | 92 | 4930 | 40W | 4485 | 112 | 245651 | 245655 | | | | | | | | | | | | | | | | | | | | | | | | | | | | | | | | | | | | | | | | | | | | | | | | | | | | | | | | | | | | | | | | | | | | | | | | | | | | | | | | | | | | |
| Vinci M DALI 4500lm FL 940 | Flood 40° | 4000K | 92 | 4930 | 40W | 4390 | 110 | 245652 | 245656 | | | | | | | | | | | | | | | | | | | | | | | | | | | | | | | | | | | | | | | | | | | | | | | | | | | | | | | | | | | | | | | | | | | | | | | | | | | | | | | | | | | | |
| <table border="1"> <thead> <tr> <th colspan="4">Spot</th> <th colspan="4">Medium</th> <th colspan="4">Flood</th> </tr> <tr> <th colspan="2">3000lm</th> <th colspan="2">5000lm</th> <th colspan="2">3000lm</th> <th colspan="2">5000lm</th> <th colspan="2">3000lm</th> <th colspan="2">5000lm</th> </tr> <tr> <th>m</th> <th>∅</th> <th>Lux</th> <th>Lux</th> <th>m</th> <th>∅</th> <th>Lux</th> <th>Lux</th> <th>m</th> <th>∅</th> <th>Lux</th> <th>Lux</th> </tr> </thead> <tbody> <tr> <td>1</td> <td>0,28</td> <td>18012</td> <td>26498</td> <td>1</td> <td>0,46</td> <td>10934</td> <td>16083</td> <td>1</td> <td>0,74</td> <td>5341</td> <td>7857</td> </tr> <tr> <td>2</td> <td>0,56</td> <td>4503</td> <td>6625</td> <td>2</td> <td>0,92</td> <td>2734</td> <td>4021</td> <td>2</td> <td>1,47</td> <td>1335</td> <td>1964</td> </tr> <tr> <td>3</td> <td>0,84</td> <td>2001</td> <td>2944</td> <td>3</td> <td>1,37</td> <td>1215</td> <td>1787</td> <td>3</td> <td>2,21</td> <td>593</td> <td>873</td> </tr> <tr> <td>4</td> <td>1,12</td> <td>1126</td> <td>1656</td> <td>4</td> <td>1,85</td> <td>683</td> <td>1005</td> <td>4</td> <td>2,91</td> <td>334</td> <td>491</td> </tr> </tbody> </table> | | | | | | | | | | Spot | | | | Medium | | | | Flood | | | | 3000lm | | 5000lm | | 3000lm | | 5000lm | | 3000lm | | 5000lm | | m | ∅ | Lux | Lux | m | ∅ | Lux | Lux | m | ∅ | Lux | Lux | 1 | 0,28 | 18012 | 26498 | 1 | 0,46 | 10934 | 16083 | 1 | 0,74 | 5341 | 7857 | 2 | 0,56 | 4503 | 6625 | 2 | 0,92 | 2734 | 4021 | 2 | 1,47 | 1335 | 1964 | 3 | 0,84 | 2001 | 2944 | 3 | 1,37 | 1215 | 1787 | 3 | 2,21 | 593 | 873 | 4 | 1,12 | 1126 | 1656 | 4 | 1,85 | 683 | 1005 | 4 | 2,91 | 334 | 491 |
| Spot | | | | Medium | | | | Flood | | | | | | | | | | | | | | | | | | | | | | | | | | | | | | | | | | | | | | | | | | | | | | | | | | | | | | | | | | | | | | | | | | | | | | | | | | | | | | | | | | | | | |
| 3000lm | | 5000lm | | 3000lm | | 5000lm | | 3000lm | | 5000lm | | | | | | | | | | | | | | | | | | | | | | | | | | | | | | | | | | | | | | | | | | | | | | | | | | | | | | | | | | | | | | | | | | | | | | | | | | | | | | | | | | | |
| m | ∅ | Lux | Lux | m | ∅ | Lux | Lux | m | ∅ | Lux | Lux | | | | | | | | | | | | | | | | | | | | | | | | | | | | | | | | | | | | | | | | | | | | | | | | | | | | | | | | | | | | | | | | | | | | | | | | | | | | | | | | | | |
| 1 | 0,28 | 18012 | 26498 | 1 | 0,46 | 10934 | 16083 | 1 | 0,74 | 5341 | 7857 | | | | | | | | | | | | | | | | | | | | | | | | | | | | | | | | | | | | | | | | | | | | | | | | | | | | | | | | | | | | | | | | | | | | | | | | | | | | | | | | | | |
| 2 | 0,56 | 4503 | 6625 | 2 | 0,92 | 2734 | 4021 | 2 | 1,47 | 1335 | 1964 | | | | | | | | | | | | | | | | | | | | | | | | | | | | | | | | | | | | | | | | | | | | | | | | | | | | | | | | | | | | | | | | | | | | | | | | | | | | | | | | | | |
| 3 | 0,84 | 2001 | 2944 | 3 | 1,37 | 1215 | 1787 | 3 | 2,21 | 593 | 873 | | | | | | | | | | | | | | | | | | | | | | | | | | | | | | | | | | | | | | | | | | | | | | | | | | | | | | | | | | | | | | | | | | | | | | | | | | | | | | | | | | |
| 4 | 1,12 | 1126 | 1656 | 4 | 1,85 | 683 | 1005 | 4 | 2,91 | 334 | 491 | | | | | | | | | | | | | | | | | | | | | | | | | | | | | | | | | | | | | | | | | | | | | | | | | | | | | | | | | | | | | | | | | | | | | | | | | | | | | | | | | | |
| | | | | | | | | | | | | | | | | | | | | | | | | | | | | | | | | | | | | | | | | | | | | | | | | | | | | | | | | | | | | | | | | | | | | | | | | | | | | | | | | | | | | | | | | | | | | | |

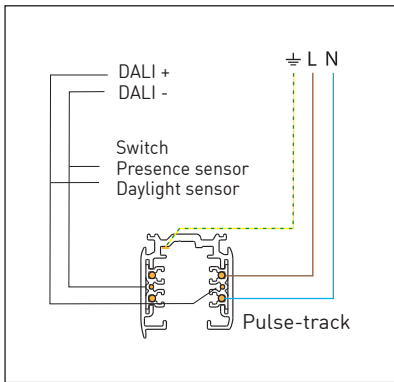
Luminous flux and connected electrical load are subject to an initial tolerance of +/- 5%. Tolerance of colour temperature: +/-150 K. Tolerance of CRI +/- 1,5. Values apply to an ambient temperature of 25°C.

DALI - Dimming & Control

VINCI M DALI is equipped with control adapter for Global Pulse Tracks.
Dimmable 100-1% by either DALI or DALI-dimmer.

The DALI lighting control system delivers unparalleled performance, maximum control, flexibility and increased energy savings.

Dimmer UID8620 offers easy installation and maintenance. Wiring is simple and installation costs are lower.



DALI LIGHTING CONTROL SYSTEM

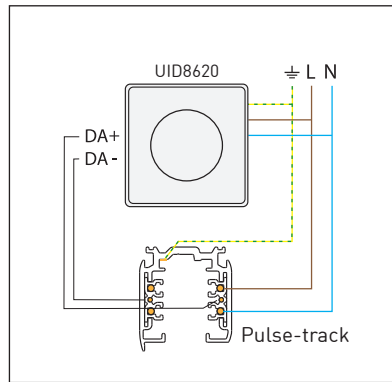
The DALI lighting control system delivers maximum control, flexibility and increased energy savings.

DALI can control a single light fitting or a defined group of fittings.

Different scenes and lightlevels may be set.

The DALI specification allows for a maximum of 64 luminaires per network, which can be broken up to 16 different groups, each with its own lighting scene.

DALI is an industry standard protocol that allows DALI-compliant components from different manufacturers to be mixed and matched together seamlessly into complete systems.



DALI Dimmer UID 8620

DALI compliant potentiometer 8620 offers easy installation. Generally applicable for indoor lighting control with DALI compliant devices. Brightness is controlled in broadcast mode so all connected devices will react simultaneously.

Dimming level 100-1%. Preset levels can be set. Maximum 32 DALI-loads may be connected to one UID 8620.



Accessories

UID 8620 DALI dimmer

0101300



Global Pulse

3-circuit 16A mains voltage track system with additional control signals.

Lystra Smart tracklights are equipped with GAC Pulse-adapter and may be controlled via DALI or with DALI-dimmer. (For example Philips UID 8620, Schneider Exxact DALI or Osram MCU).