

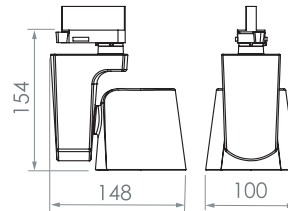
SIDECAR S DALI

“Sidecar is our most compact version of spotlights. It is a traditional side-by-side solution, inspired by the sidecar version of a motorcycle. We created a design that places the point of rotation on the track as central as possible to avoid a big offset from the track, allowing a number of spotlights to visually work well together. Developed and produced in Sweden”.

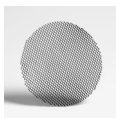
LED-spotlight with passive cooling system.
Dimmable by DALI.
Die cast aluminium body, powder coat painted.
Integral heatsink. Integral premium driver.
Amplitude dimming (AM) for flicker free and noise free dimming.
Low ripple output current <4% to assure camera and scanner friendly performance.
Rotation 365°. Vertical adjustment +/- 90°.
Track mounted with GAC Pulse adapter.



Class of protection	IP20, class I
Colours	White, black
Weight total	760g
Reflector	High purity aluminium
Lifetime	50.000h L80/B10 at Ta 25°C
Mounting	GAC-adapter for Pulse track
Voltage	220-240V 50/60hz
Qty per MCB	Max 34pcs/MCB 16A type B
Ripple out. current	< 4%. Flicker-free performance
Colour consistency	2 SDCM
Photobiological safety	RG1
Design	Jesper Ståhl
Dimming 100-1%	DALI



- White
- Black



Accessories

Honeycomb louvre Sidecar S **213091**

SIDECAR S DALI

Description	Reflector	CCT (K)	CRI	Lumen	Load	Lumen	Lm/W	○ White	● Black																																																																								
LIGHTSOURCE					LUMINAIRE			ART. No.																																																																									
WARM WHITE 3000K (930)																																																																																	
SIDECAR S DALI 3000lm SP 930	Spot 15°	3000K	92	3380	25W	3175	126	213510	213514																																																																								
SIDECAR S DALI 3000lm ME 930	Medium 25°	3000K	92	3380	25W	3175	126	213511	213515																																																																								
SIDECAR S DALI 3000lm FL 930	Flood 40°	3000K	92	3380	25W	3175	126	213512	213516																																																																								
SIDECAR S DALI 3000lm WFL 930	Widefl 60°	3000K	92	3380	25W	3175	126	213513	213517																																																																								
<table border="1"> <thead> <tr> <th colspan="3">Spot 15°</th> <th colspan="3">Medium 25°</th> <th colspan="3">Flood 40°</th> <th colspan="3">Wideflood 60°</th> </tr> <tr> <th>m</th> <th>∅</th> <th>Lux</th> <th>m</th> <th>∅</th> <th>Lux</th> <th>m</th> <th>∅</th> <th>Lux</th> <th>m</th> <th>∅</th> <th>Lux</th> </tr> </thead> <tbody> <tr> <td>1</td> <td>0,28</td> <td>20548</td> <td>1</td> <td>0,42</td> <td>11446</td> <td>1</td> <td>0,74</td> <td>6550</td> <td>1</td> <td>1,19</td> <td>3488</td> </tr> <tr> <td>2</td> <td>0,56</td> <td>5137</td> <td>2</td> <td>0,84</td> <td>2861</td> <td>2</td> <td>1,42</td> <td>1637</td> <td>2</td> <td>2,38</td> <td>872</td> </tr> <tr> <td>3</td> <td>0,84</td> <td>2283</td> <td>3</td> <td>1,25</td> <td>1272</td> <td>3</td> <td>2,18</td> <td>728</td> <td>3</td> <td>2,97</td> <td>558</td> </tr> <tr> <td>4</td> <td>1,12</td> <td>1284</td> <td>4</td> <td>1,70</td> <td>715</td> <td>4</td> <td>2,91</td> <td>409</td> <td>4</td> <td>4,76</td> <td>218</td> </tr> </tbody> </table>										Spot 15°			Medium 25°			Flood 40°			Wideflood 60°			m	∅	Lux	m	∅	Lux	m	∅	Lux	m	∅	Lux	1	0,28	20548	1	0,42	11446	1	0,74	6550	1	1,19	3488	2	0,56	5137	2	0,84	2861	2	1,42	1637	2	2,38	872	3	0,84	2283	3	1,25	1272	3	2,18	728	3	2,97	558	4	1,12	1284	4	1,70	715	4	2,91	409	4	4,76	218
Spot 15°			Medium 25°			Flood 40°			Wideflood 60°																																																																								
m	∅	Lux	m	∅	Lux	m	∅	Lux	m	∅	Lux																																																																						
1	0,28	20548	1	0,42	11446	1	0,74	6550	1	1,19	3488																																																																						
2	0,56	5137	2	0,84	2861	2	1,42	1637	2	2,38	872																																																																						
3	0,84	2283	3	1,25	1272	3	2,18	728	3	2,97	558																																																																						
4	1,12	1284	4	1,70	715	4	2,91	409	4	4,76	218																																																																						
<p>3000K 930 Spectral power distributions</p>																																																																																	
NEUTRAL WHITE 4000K (940)																																																																																	
SIDECAR S DALI 3000lm SP 940	Spot 15°	4000K	92	3255	25W	3255	130	213550	213554																																																																								
SIDECAR S DALI 3000lm ME 940	Medium 25°	4000K	92	3255	25W	3255	130	213551	213555																																																																								
SIDECAR S DALI 3000lm FL 940	Flood 40°	4000K	92	3255	25W	3255	130	213552	213556																																																																								
SIDECAR S DALI 3000lm WFL 940	Widefl 60°	4000K	92	3255	25W	3255	130	213553	213557																																																																								
<table border="1"> <thead> <tr> <th colspan="3">Spot 15°</th> <th colspan="3">Medium 25°</th> <th colspan="3">Flood 40°</th> <th colspan="3">Wideflood 60°</th> </tr> <tr> <th>m</th> <th>∅</th> <th>Lux</th> <th>m</th> <th>∅</th> <th>Lux</th> <th>m</th> <th>∅</th> <th>Lux</th> <th>m</th> <th>∅</th> <th>Lux</th> </tr> </thead> <tbody> <tr> <td>1</td> <td>0,28</td> <td>21085</td> <td>1</td> <td>0,42</td> <td>11738</td> <td>1</td> <td>0,74</td> <td>6717</td> <td>1</td> <td>1,19</td> <td>3577</td> </tr> <tr> <td>2</td> <td>0,56</td> <td>5271</td> <td>2</td> <td>0,84</td> <td>2934</td> <td>2</td> <td>1,42</td> <td>1679</td> <td>2</td> <td>2,38</td> <td>894</td> </tr> <tr> <td>3</td> <td>0,84</td> <td>2343</td> <td>3</td> <td>1,25</td> <td>1304</td> <td>3</td> <td>2,18</td> <td>746</td> <td>3</td> <td>2,97</td> <td>572</td> </tr> <tr> <td>4</td> <td>1,12</td> <td>1318</td> <td>4</td> <td>1,70</td> <td>734</td> <td>4</td> <td>2,91</td> <td>420</td> <td>4</td> <td>4,76</td> <td>397</td> </tr> </tbody> </table>										Spot 15°			Medium 25°			Flood 40°			Wideflood 60°			m	∅	Lux	m	∅	Lux	m	∅	Lux	m	∅	Lux	1	0,28	21085	1	0,42	11738	1	0,74	6717	1	1,19	3577	2	0,56	5271	2	0,84	2934	2	1,42	1679	2	2,38	894	3	0,84	2343	3	1,25	1304	3	2,18	746	3	2,97	572	4	1,12	1318	4	1,70	734	4	2,91	420	4	4,76	397
Spot 15°			Medium 25°			Flood 40°			Wideflood 60°																																																																								
m	∅	Lux	m	∅	Lux	m	∅	Lux	m	∅	Lux																																																																						
1	0,28	21085	1	0,42	11738	1	0,74	6717	1	1,19	3577																																																																						
2	0,56	5271	2	0,84	2934	2	1,42	1679	2	2,38	894																																																																						
3	0,84	2343	3	1,25	1304	3	2,18	746	3	2,97	572																																																																						
4	1,12	1318	4	1,70	734	4	2,91	420	4	4,76	397																																																																						
<p>4000K 940 Spectral power distributions</p>																																																																																	

Luminous flux and connected electrical load are subject to an initial tolerance of +/- 5%. Tolerance of colour temperature: +/-150 K. Tolerance of CRI +/- 1,5. Values apply to an ambient temperature of 25°C.

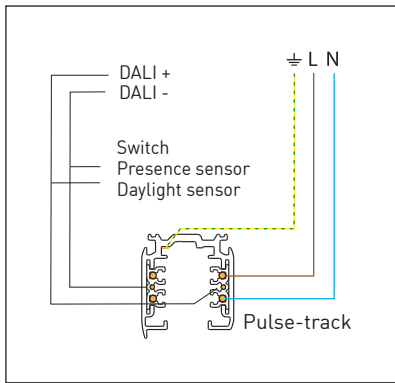
DALI - Dimming & Control

RUNWAY S DALI is equipped with control adapter for Global Pulse Tracks. Dimmable 100-1% by either DALI or DALI-dimmer.

The DALI lighting control system delivers unparalleled performance, maximum control, flexibility and increased energy savings.

DALI-dimmers offer easy installation and maintenance. Wiring is simple and installation costs are lower.

By adding a converter all DALI-luminaires can be integrated into wireless systems.



DALI LIGHTING CONTROL SYSTEM

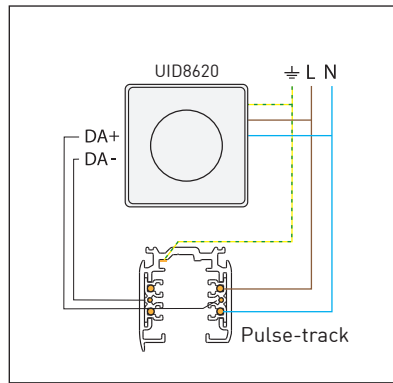
The DALI lighting control system delivers maximum control, flexibility and increased energy savings.

DALI can control a single light fitting or a defined group of fittings.

Different scenes and lightlevels may be set.

The DALI specification allows for a maximum of 64 luminaires per network, which can be broken up to 16 different groups, each with its own lighting scene.

DALI is an industry standard protocol that allows DALI-compliant components from different manufacturers to be mixed and matched together seamlessly into complete systems.



DALI Dimmer

DALI compliant dimmers offers easy installation. Generally applicable for indoor lighting control with DALI compliant devices. Brightness is controlled in broadcast mode so all connected devices will react simultaneously.

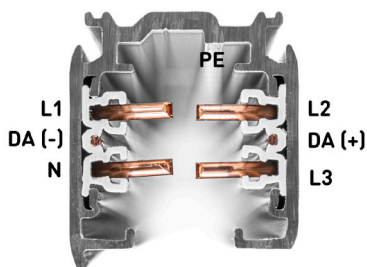
Dimming level 100-1%. Preset levels can be set. Maximum 32 DALI-loads may be connected to one UIB 8620.



DALI to CASAMBI

DALI luminaires can be converted to Casambi networks with the addition of a Casambi DALI-bridge.

All DALI luminaires and Casambi Ready controllers can be combined together and controlled as a single Casambi mesh network, from the Casambi App.



Global Pulse

3-circuit 16A mains voltage track system with additional control signals.

Lystra DALI tracklights are equipped with GAC Pulse-adapter and may be controlled via DALI or with DALI-dimmer. (For example Philips UID 8620, Schneider Exxact DALI or Osram MCU).

